

TECHNICAL DATA SHEET Item

R151T60B

 Revision no.:

Filter media:
 Filter area: *cm*² *Sq. inch*
 Efficiency: *µm*

Collapse pressure in accordance to ISO 2941: *Bar.* *Psi.*

By-pass valve: *By-pass setting:* *Bar.* *Psi.*

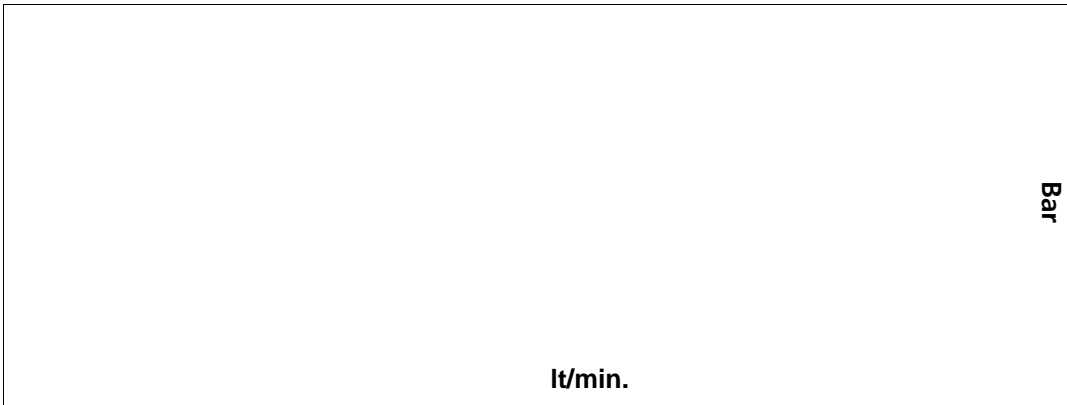
Operating temperature: *min* *°C* *max* *°C*

Flow: *Seal:*

Fluid compatibility :

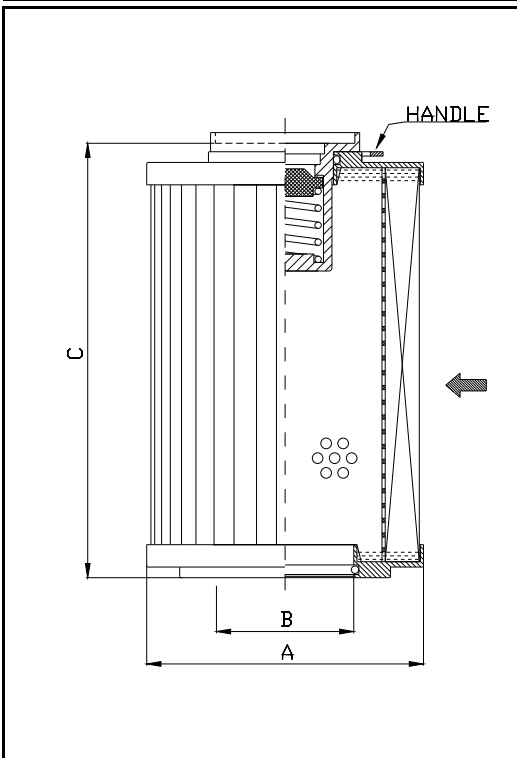
Notes :

Pressure drop charts in accordance to ISO 3968 (Class B) at clean element 30 cst viscosity 0,86 Kg/dm³ density mineral oil.



Q: *lt/min.*
 Dp: *Bar.*

Q: *GPM*
 Dp: *PSI*



- mm*
- A
 - B
 - C
 - D
 - E
 - F

- inch*
- A
 - B
 - C
 - D
 - E
 - F



Technical drawing not in scale

Image is only representative