



**TECHNICAL DATA SHEET**

Item

**R142C10B**

Revision no.:

**1**

Filter media:

Filter area:  *cm*<sup>2</sup>  *Sq. inch*

Efficiency:   $\mu\text{m}$  (c) at  $\beta=$   in accordance to ISO 16889

$\mu\text{m}$  (c) at  $\beta=$   in accordance to ISO 16889

Dirt holding capacity in accordance to ISO 16889 at final Dp 5 bar:  *gr. ISO MTD*

Collapse pressure in accordance to ISO 2941:  *Bar.*  *Psi.*

By-pass valve:  By-pass setting:  *Bar.*  *Psi.*

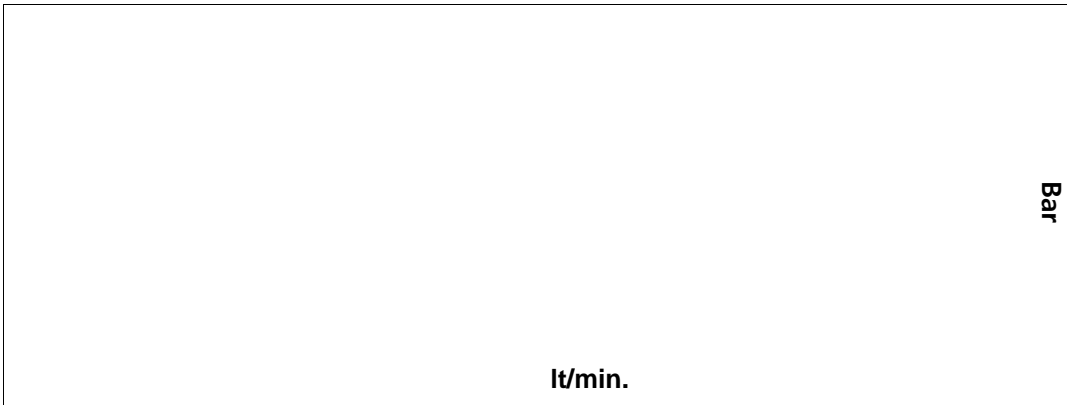
Operating temperature: *min*   $^{\circ}\text{C}$  *max*   $^{\circ}\text{C}$

Flow:  Seal:

Fluid compatibility :

Notes :

Pressure drop charts in accordance to ISO 3968 (Class B) at clean element 30 cst viscosity 0,86 Kg/dm<sup>3</sup> density mineral oil.

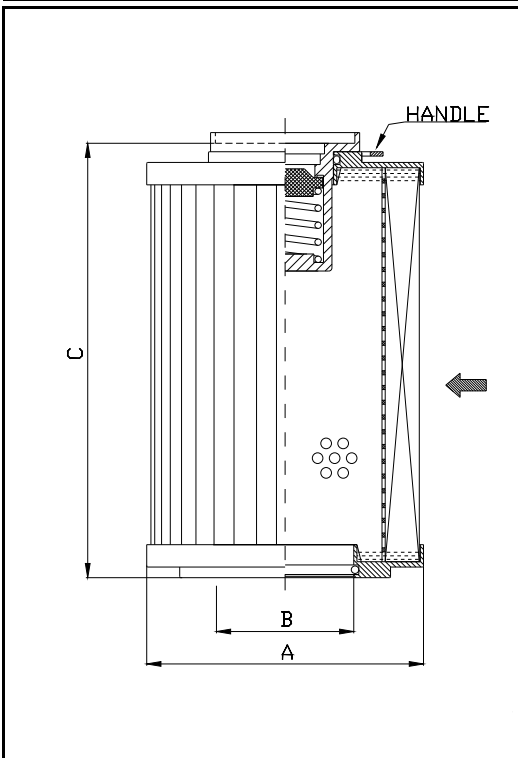


Q:  *lt/min.*

Dp:  *Bar.*

Q:  *GPM*

Dp:  *PSI*



- mm*
- A
  - B
  - C
  - D
  - E
  - F

- inch*
- A
  - B
  - C
  - D
  - E
  - F



Technical drawing not in scale

Image is only representative