

TECHNICAL DATA SHEET Item

R160T60B

 Revision no.:

Filter media:
Filter area: **cm²** **Sq. inch**
Efficiency: **µm**

Collapse pressure in accordance to ISO 2941: **Bar.** **Psi.**

By-pass valve: **By-pass setting:** **Bar.** **Psi.**

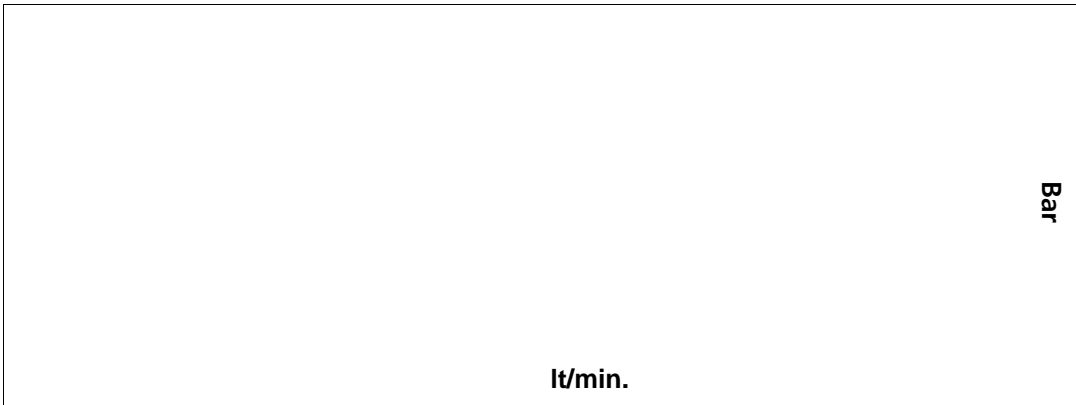
Operating temperature: **min** **°C** **max** **°C**

Flow: **Seal:**

Fluid compatibility :

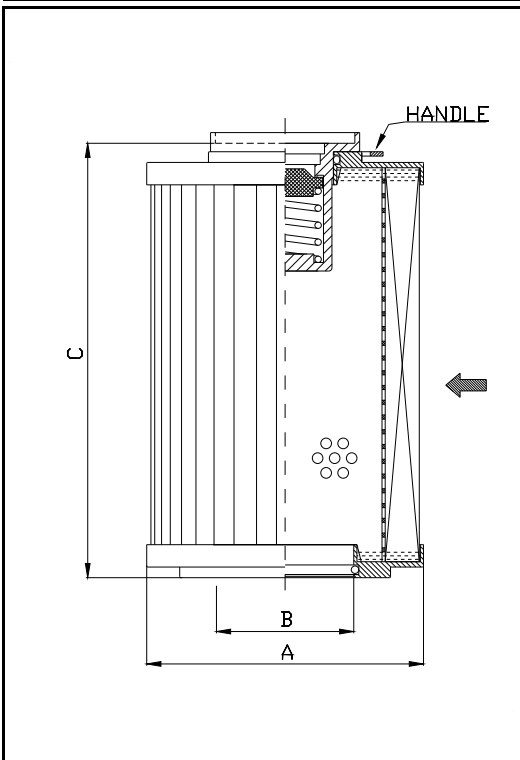
Notes :

Pressure drop charts in accordance to ISO 3968 (Class B) at clean element 30 cst viscosity 0,86 Kg/dm³ density mineral oil.



Q: **lt/min.**
Dp: **Bar.**

Q: **GPM**
Dp: **PSI**



- mm**
- A
 - B
 - C
 - D
 - E
 - F
- inch**
- A
 - B
 - C
 - D
 - E
 - F



Technical drawing not in scale

Image is only representative