

TECHNICAL DATA SHEET Item

R151C25B

 Revision no.:

 Filter media:

 Filter area: **cm²** **Sq. inch**

 Efficiency: **µm (c) at β=** **in accordance to ISO 16889**
 µm (c) at β= **in accordance to ISO 16889**

 Dirt holding capacity in accordance to ISO 16889 at final Dp 5 bar: **gr. ISO MTD**

 Collapse pressure in accordance to ISO 2941: **Bar.** **Psi.**

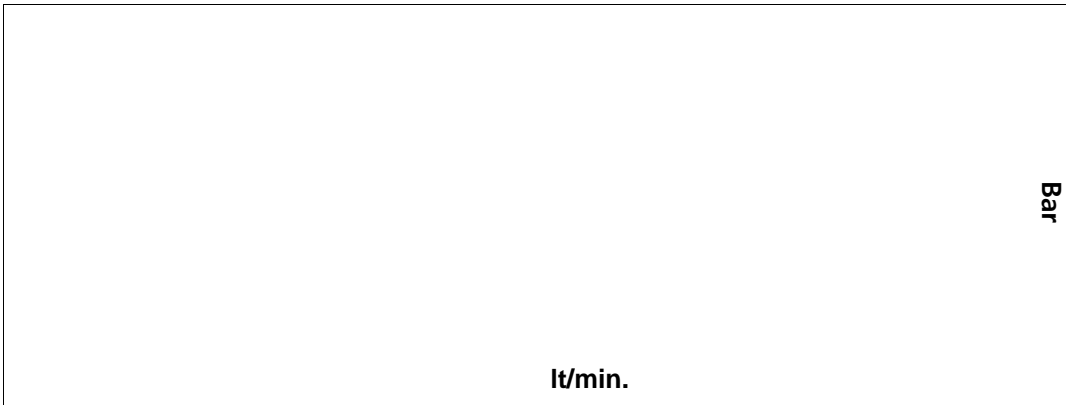
 By-pass valve: **By-pass setting:** **Bar.** **Psi.**

 Operating temperature: **min** **°C** **max** **°C**

 Flow: **Seal:**

 Fluid compatibility :

 Notes :

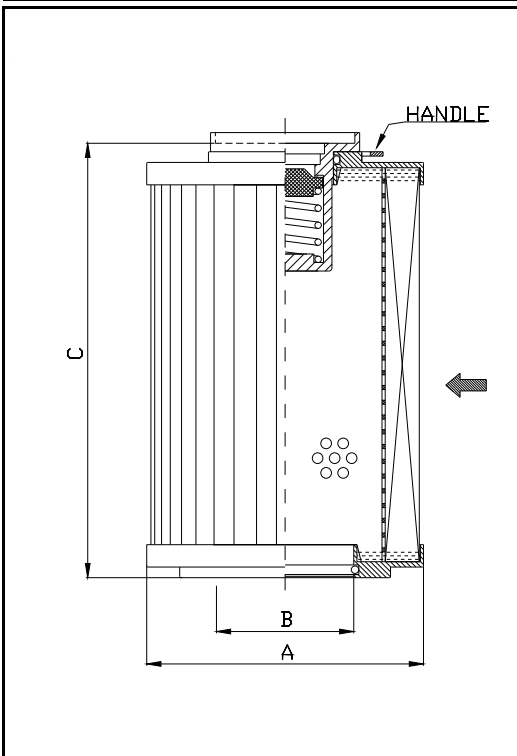
 Pressure drop charts in accordance to ISO 3968 (Class B) at clean element 30 cst viscosity 0,86 Kg/dm³ density mineral oil.

 Q: **lt/min.**

 Dp: **Bar.**

 Q: **GPM**

 Dp: **PSI**

lt/min.


mm

 A

 B

 C

 D

 E

 F
inch

 A

 B

 C

 D

 E

 F


Technical drawing not in scale

Image is only representative