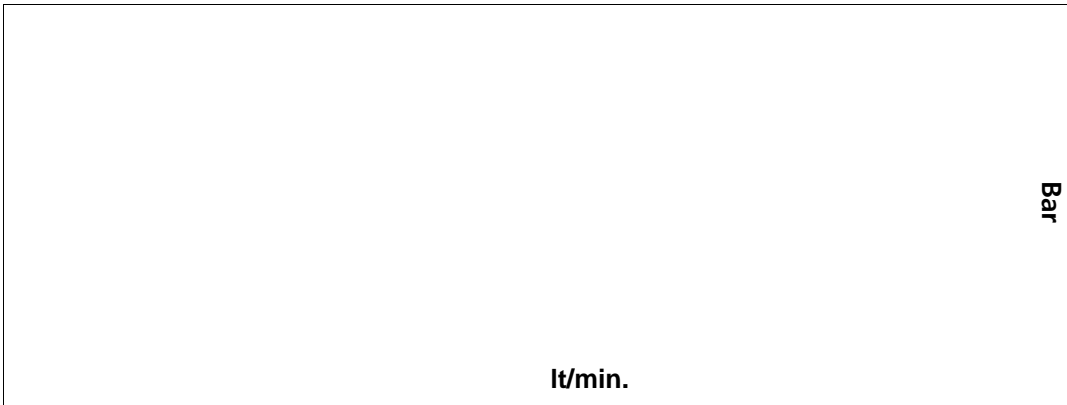


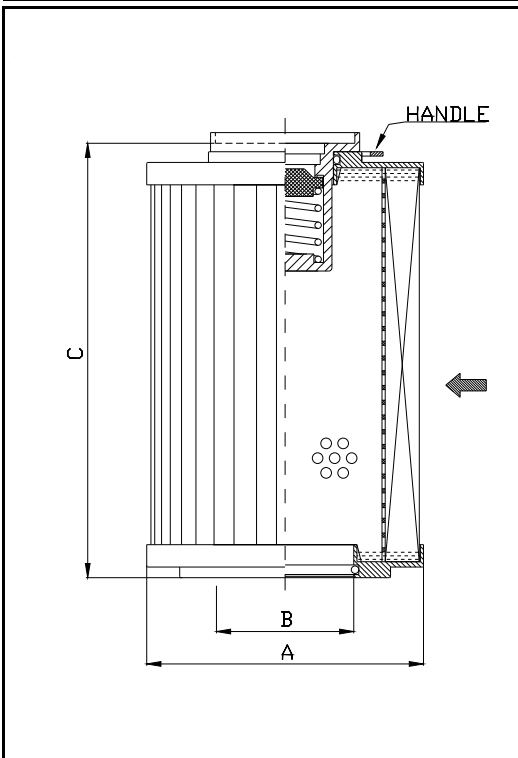
TECHNICAL DATA SHEET Item

R151C10B

 Revision no.:
Filter media:
Filter area: **cm²** **Sq. inch**
Efficiency: **µm (c) at β=** **in accordance to ISO 16889**
 µm (c) at β= **in accordance to ISO 16889**
Dirt holding capacity in accordance to ISO 16889 at final Dp 5 bar: **gr. ISO MTD**
Collapse pressure in accordance to ISO 2941: **Bar.** **Psi.**
By-pass valve: **By-pass setting:** **Bar.** **Psi.**
Operating temperature: **min** **°C** **max** **°C**
Flow: **Seal:**
Fluid compatibility :
Notes :
Pressure drop charts in accordance to ISO 3968 (Class B) at clean element 30 cst viscosity 0,86 Kg/dm³ density mineral oil.

 Q: **lt/min.**

 Dp: **Bar.**

 Q: **GPM**

 Dp: **PSI**


- mm**
- A
- B
- C
- D
- E
- F

- inch**
- A
- B
- C
- D
- E
- F



Technical drawing not in scale

Image is only representative