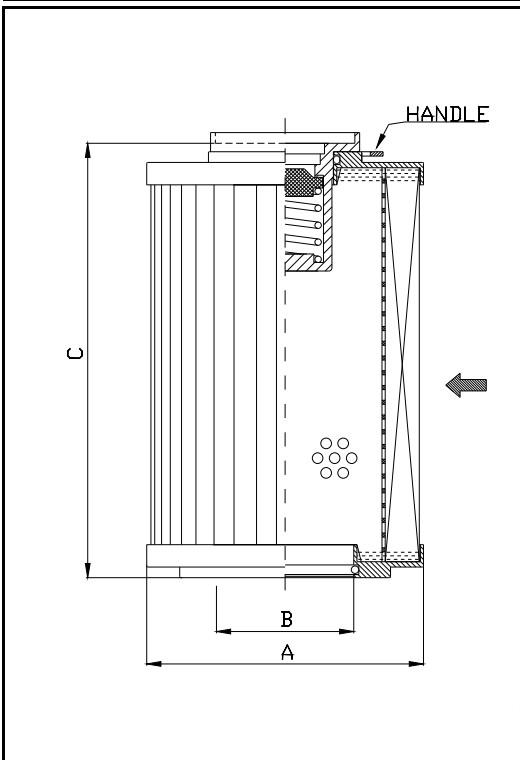
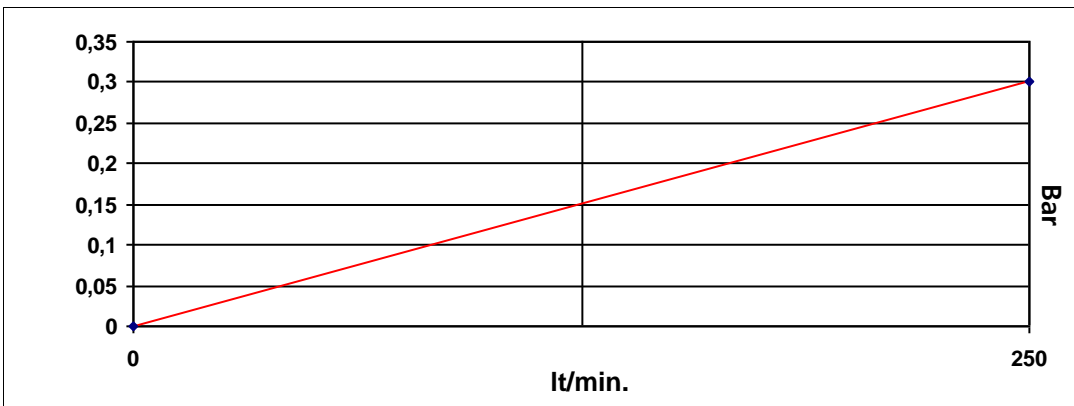


TECHNICAL DATA SHEET Item R140C10B Revision no.:

Filter media: IMPREGNATED PAPER
 Filter area: 3.840 cm² 596 Sq. inch
 Efficiency: 10 μm (c) at β= 2 in accordance to ISO 16889
 μm (c) at β= in accordance to ISO 16889
 Dirt holding capacity in accordance to ISO 16889 at final Dp 5 bar: 23,42 gr. ISO MTD
 Collapse pressure in accordance to ISO 2941: 3 Bar. 43 Psi.

By-pass valve: SI By-pass setting: 1,7 Bar. 24,7 Psi.
 Operating temperature: min -25 °C max 120 °C
 Flow: EST-INT Seal: NBR
 Fluid compatibility : mineral oil (HH,HL,HM,HV)
 Notes : provided with spring

Pressure drop charts in accordance to ISO 3968 (Class B) at clean element 30 cst viscosity 0,86 Kg/dm³ density mineral oil.



- mm**
- A 99
 - B 40,5
 - C 220
 - D
 - E
 - F
- inch**
- A 3,90
 - B 1,59
 - C 8,66
 - D
 - E
 - F



Technical drawing not in scale

Image is only representative