



TECHNICAL DATA SHEET

Item

R110C10B

Revision no.:

Filter media:

Filter area: cm² Sq. inch

Efficiency: μm (c) at β= in accordance to ISO 16889

μm (c) at β= in accordance to ISO 16889

Dirt holding capacity in accordance to ISO 16889 at final Dp 5 bar: gr. ISO MTD

Collapse pressure in accordance to ISO 2941: Bar. Psi.

By-pass valve: By-pass setting: Bar. Psi.

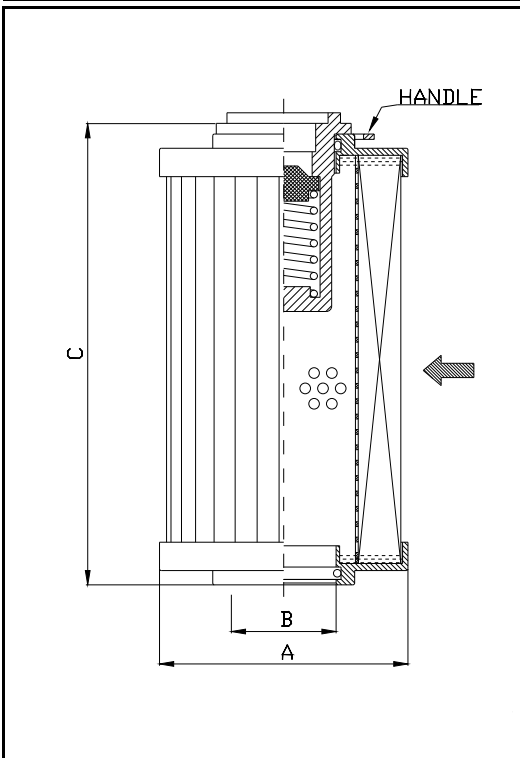
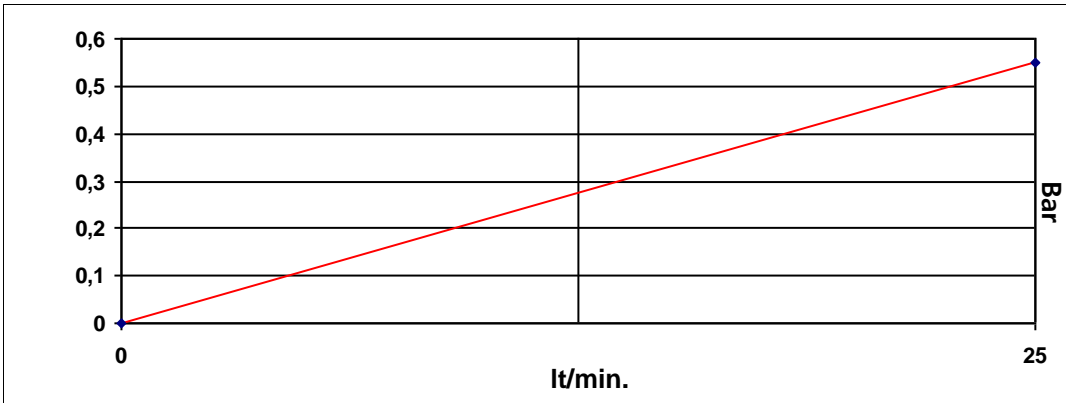
Operating temperature: min °C max °C

Flow: Seal:

Fluid compatibility :

Notes :

Pressure drop charts in accordance to ISO 3968 (Class B) at clean element 30 cst viscosity 0,86 Kg/dm³ density mineral oil.



- mm**
- A
 - B
 - C
 - D
 - E
 - F
- inch**
- A
 - B
 - C
 - D
 - E
 - F



Technical drawing not in scale

Image is only representative