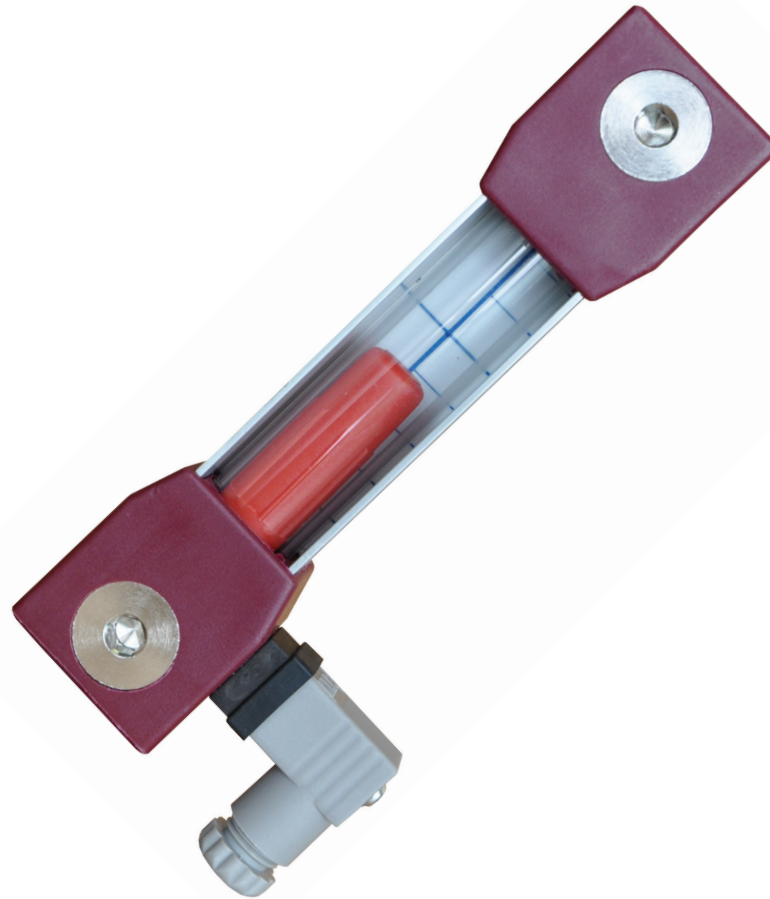


LV/E1

VISUAL LEVEL GAUGES WITH MINIMUM LEVEL SIGNAL



VISUAL LEVELS

The visual level gauges allow the liquid level to be checked in a clear and precise way at any time, and have the possibility to have an electrical signal.

LV/E1

VISUAL LEVEL GAUGES WITH MINIMUM LEVEL SIGNAL



The visual level gauges allow the liquid level to be checked in a clear and precise way at any time.

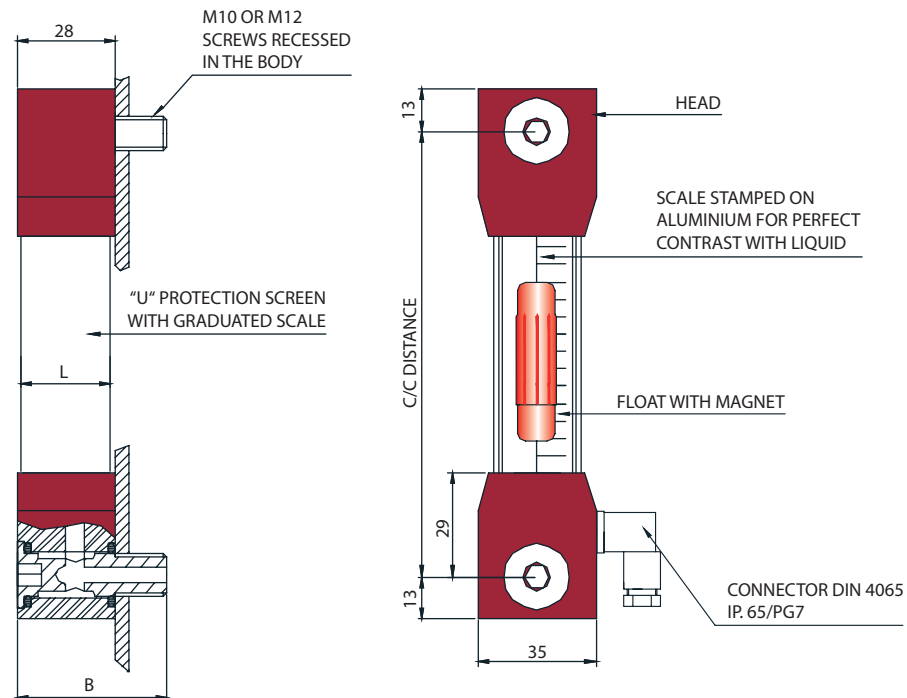
The principle used is that of communicating vessels: the liquid goes through the level gauge by means of hollow screws, showing the user the exact point inside the tank.

Through a full range of components our level gauges can meet the most particular needs, at a limited cost.

The level gauges can be equipped with tap that stop the flow of liquid from the tank to the gauge.

The C/C distances of 127 ÷ 3000 mm supplied meet the needs of all customers. In this way they can be interchangeable with the level gauges available on the market and, above all, "custom made" according to needs. The "U" protection screen is normally fitted in order to obtain visibility on the front part of the level gauge, but if necessary it can be turned 90° to obtain visibility on the right or left.

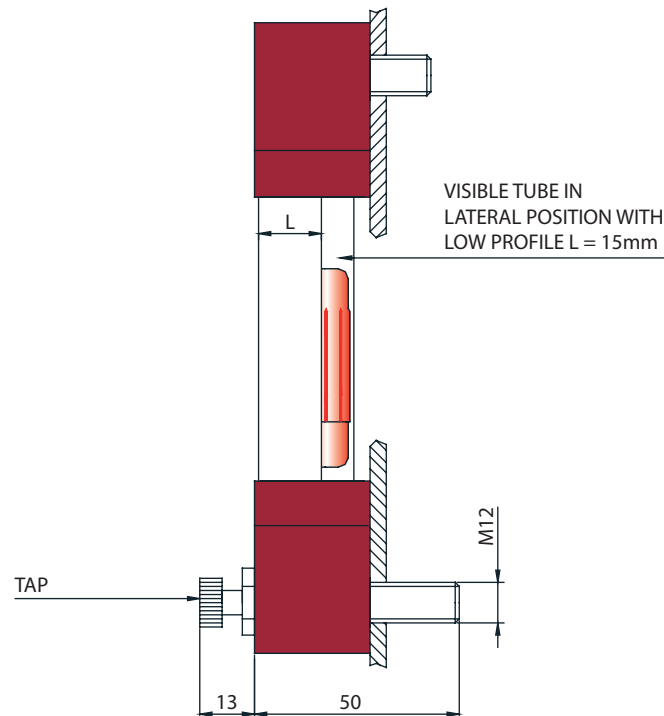
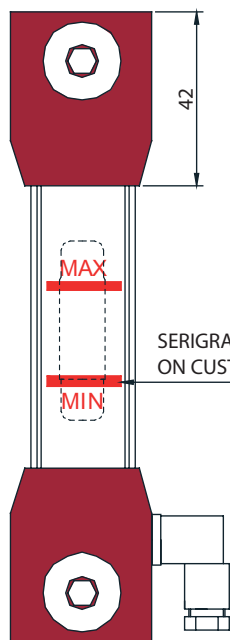
As well as providing a visual indication, the visual level gauge E1 have a minimum level signal which can be N.O. or N.C. or EXCHANGE, on customer request.



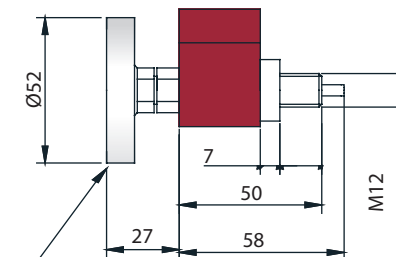
The many advantages include:

- just one purchase
- just one installation
- savings in costs and work
- total safety: the electrical part is completely separate from the liquids and insulated with respect to the outside.

Max Pressure: 5 Bar



BIMETAL THERMOMETER
"TS" WITH DOUBLE SCALE
°C (0-120) AND °F (30-250)



LV / E1	SPST - N.C. IN ABSENCE	SPST - N.C. IN PRESENCE	SPDT
ELECTRICAL CHARACTERISTICS			
POWER COMMUTABLE IN C.C.	20 W	20 W	20 W
POWER COMMUTABLE IN C.A.		20 VA	20 VA
CURRENT STRENGTH IN C.C. - C.A.	1.A	1.A	1.A
COMMUTABLE VOLTAGE	200 VDC	150 VDC / VAC	150 VDC / VAC

MOD.	C/C DISTANCE	SCREWS	SCREWS MATERIAL		ELECTRICAL CONTACT	POSITION ELECTRICAL CONTACT	TUBE MATERIAL		FLOAT	HEAD MATERIAL		OR MATERIAL		DEVICES		SERIGRAFIA														
			B (mm)				TEMP. (°C)			TEMP. (°C)		TEMP. (°C)		TAP	THERMOMETER															
LVE1	FROM 127 TO 3000	M12	A	NICKEL PLATED BRASS	42	C	CLOSED IN ABSENCE OF LIQUID	1	RIGHT	A	METHACRYLATE	-70...+80	1	NYLON-GLASS (RED)	A	NYLON-GLASS (RED)	-30...+130	1	NBR	-30...+100	0	WITHOUT	0	WITHOUT	A	WITHOUT				
			B	NICKEL PLATED BRASS	50					B	POLYCARBONAT E	-150...+130						2	P.P. - GLASS (YELLOW)	2							HNBR	-40...+130	R1	WITH LOWER TAP NICKEL PLATED BRASS L50 mm
			C	AISI 316 S/STEEL	42					O	OPEN IN ABSENCE OF LIQUID							3	SI (SILICONE)	-60...+200										
		M10	D	NICKEL PLATED BRASS	42	S	SPDT	2	LEFT	C	PYREX	-70...+250	3	NBR WITH S/STEEL SPIRAL (BLACK)	B	P.P. - GLASS (GREY)	0...+100	4	EPDM	-45...+155	R2	WITH TWO TAPS NICKEL PLATED BRASS L50 mm	TS	WITH LOWER THERMOMETER external bimetallic (includes M12-B) (Excludes R1)			B	WITH SERIGRAPHY ON CUSTOMER'S DESIGN ON REQUEST FOR QUANTITIES		
																		6	FEP (FKM-SILICONE)	-60...+205										
																		7	MFQ (FLUOROSILICONE)	-65...+175	R3	WITH LOWER TAP INOX AISI 316								
																		6 AND 7 ON REQUEST FOR QUANTITIES												
LVE1	800	M12	1	C	1	A	1	A	1	R1	TS	A																		