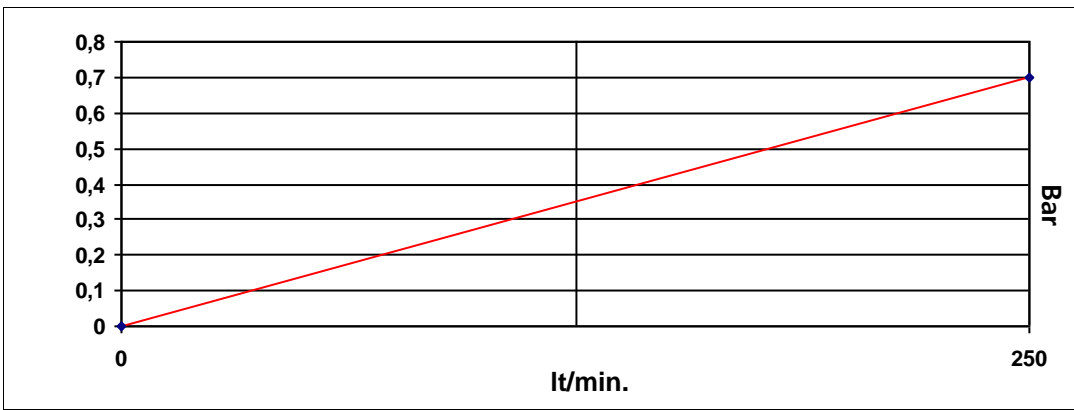


**TECHNICAL DATA SHEET** Item **D154G25A** Revision no.:

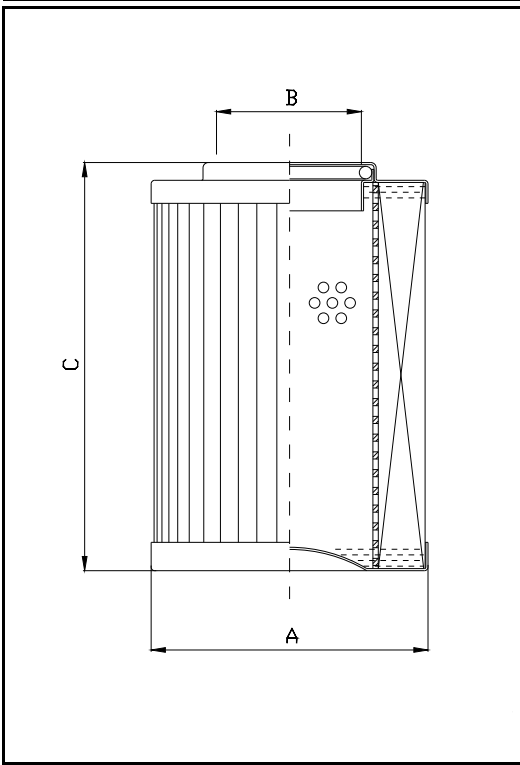
Filter media:   
 Filter area:  cm<sup>2</sup>  Sq. inch  
 Efficiency:  μm (c) at β=  in accordance to ISO 16889  
 μm (c) at β=  in accordance to ISO 16889  
 Dirt holding capacity in accordance to ISO 16889 at final Dp 5 bar:  gr. ISO MTD  
 Collapse pressure in accordance to ISO 2941:  Bar.  Psi.

By-pass valve:  By-pass setting:  Bar.  Psi.  
 Operating temperature: min  °C max  °C  
 Flow:  Seal:   
 Fluid compatibility :   
 Notes :

Pressure drop charts in accordance to ISO 3968 (Class B) at clean element 30 cst viscosity 0,86 Kg/dm<sup>3</sup> density mineral oil.



Q:  lt/min.  
 Dp:  Bar.  
 Q:  GPM  
 Dp:  PSI



- mm**
- A
  - B
  - C
  - D
  - E
  - F
- inch**
- A
  - B
  - C
  - D
  - E
  - F



Technical drawing not in scale

Image is only representative