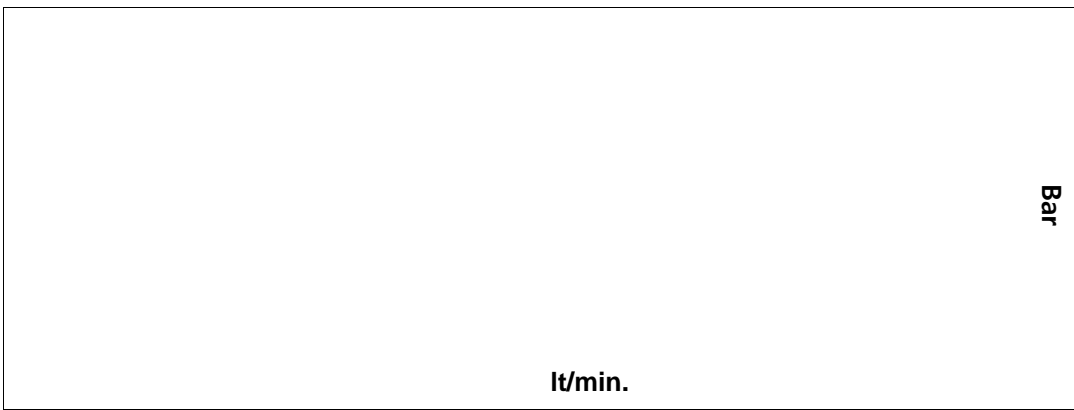


TECHNICAL DATA SHEET Item D132G10A Revision no.:

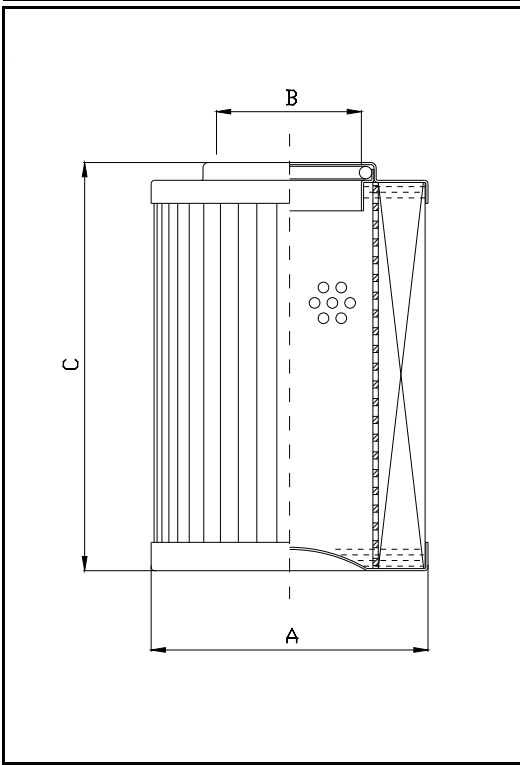
Filter media: INORGANIC FIBERGLASS
 Filter area: 568 cm² 88 Sq. inch
 Efficiency: 10 μm (c) at β= 200 in accordance to ISO 16889
12 μm (c) at β= 1000 in accordance to ISO 16889
 Dirt holding capacity in accordance to ISO 16889 at final Dp 5 bar: 8,63 gr. ISO MTD
 Collapse pressure in accordance to ISO 2941: 21 Bar. 304 Psi.

By-pass valve: NO By-pass setting: Bar. Psi.
 Operating temperature: min -25 °C max 120 °C
 Flow: EST-INT Seal: NBR
 Fluid compatibility : mineral oil (HH,HL,HM,HV)
 Notes :

Pressure drop charts in accordance to ISO 3968 (Class B) at clean element 30 cst viscosity 0,86 Kg/dm³ density mineral oil.



Q: lt/min.
 Dp: Bar.
 Q: GPM
 Dp: PSI



- mm**
- A 53
 - B 27,5
 - C 86
 - D
 - E
 - F
- inch**
- A 2,09
 - B 1,08
 - C 3,39
 - D
 - E
 - F



Technical drawing not in scale

Image is only representative