

**TECHNICAL DATA SHEET** Item

**D120T60A**

 Revision no.: **1**

**Filter media:**   
**Filter area:**  *cm*<sup>2</sup>  *Sq. inch*  
**Efficiency:**  *μm*

**Collapse pressure in accordance to ISO 2941:**  *Bar.*  *Psi.*

**By-pass valve:**  **By-pass setting:**  *Bar.*  *Psi.*

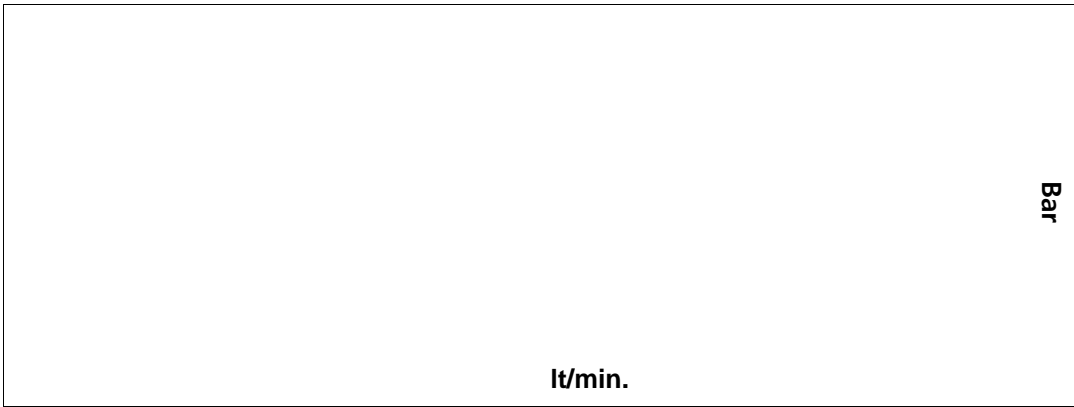
**Operating temperature:** *min*  *°C* *max*  *°C*

**Flow:**  **Seal:**

**Fluid compatibility :**

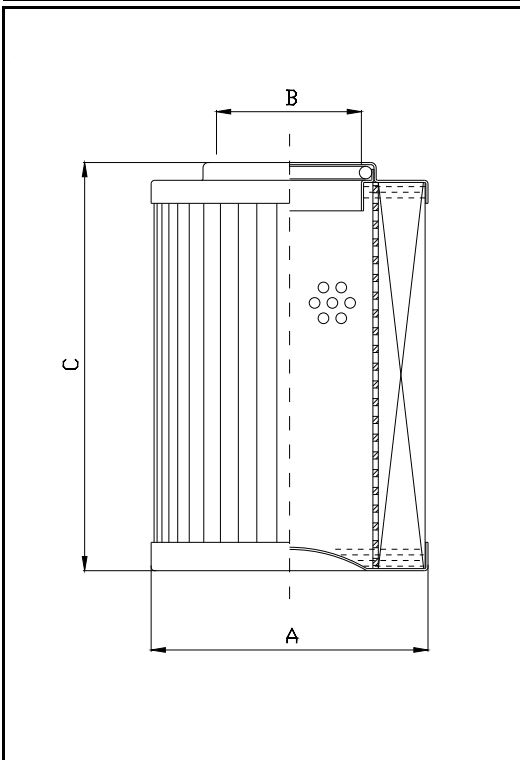
**Notes :**

**Pressure drop charts in accordance to ISO 3968 (Class B) at clean element 30 cst viscosity 0,86 Kg/dm<sup>3</sup> density mineral oil.**



Q:  *lt/min.*  
 Dp:  *Bar.*

Q:  *GPM*  
 Dp:  *PSI*



- mm**
- A
  - B
  - C
  - D
  - E
  - F

- inch**
- A
  - B
  - C
  - D
  - E
  - F



Technical drawing not in scale

Image is only representative